

PLUG VALVE (3 - Way)

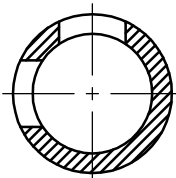
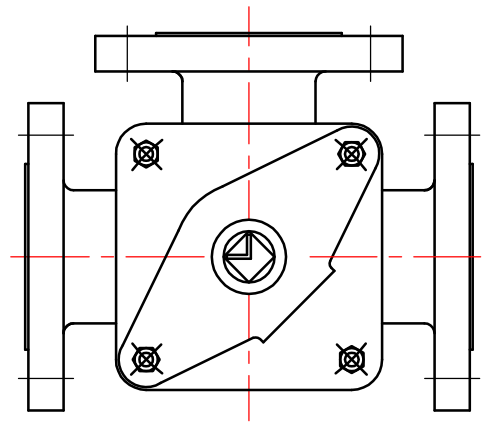
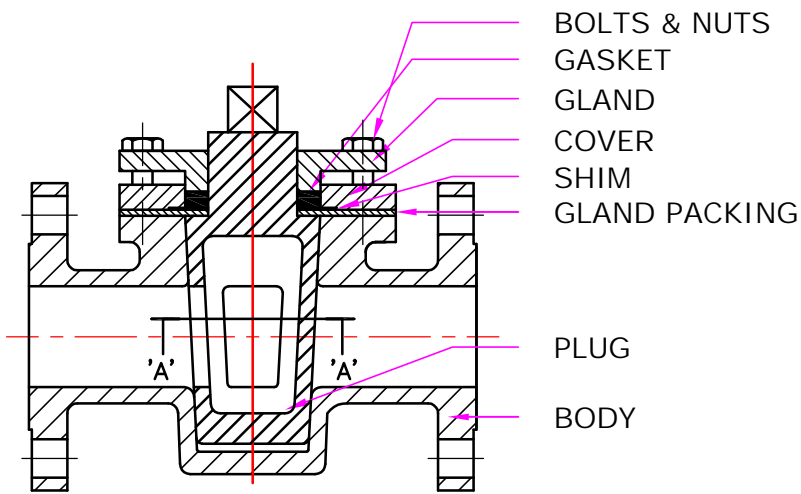
METAL TO METAL

APPLI CABLE STANDARD

DESIGN STD.	: API 599
TESTING STD.	: API 598
RATING	: 150#
DRILLING	: AS PER ANSI B 16.5
FACE TO FACE	: AS PER ANSI B 16.10
END CONN.	: FLANGED END
LEAKAGE CLASS	: CLASS IV
OPERATION	: GEAR OPERATED

FEATURES :

- NO LUBRICATION, NO MAINTENANCE COST
- EXCELLENT SHUT-OFF AND CONTROL PROPERTIES
- TIGHT SHUT-OFF LIQUIDS AND GASES
(LEAKRATE < 10^{-6} mbar l/sec)
- LONG SERVICE - LIFE AT HIGHEST RELIABILITY
- ECONOMICAL LIFE - CYCLE - COST AT DIFFERENT APPLICATIONS



SECTION 'A - A'

VALVE SIZE - INCH	1"	1.5"	2"	2.5"	3"	4"	6"	8"	10"	12"	
VALVE SIZE - MM	25	40	50	65	80	100	150	200	250	300	
A	150#	127	165	178	190	203	229	267	292	330	356



FLOW-TEK VALVES & CONTROLS INC

PLOT NO: 172-173, ROAD NO. 4, G.I.D.C.,
 KATHWADA, AHMEDABAD - 382430
 (M) : 09824080899, 09824539702
 PHONE : (079) 22900220, 22900219
 E-MAIL : info@flowagevalves.com, hemal21386@gmail.com
 url : www.delugecontrolvalve.com, www.flowagevalves.com
 AN ISO 9001:2008 CERTIFIED COMPANY